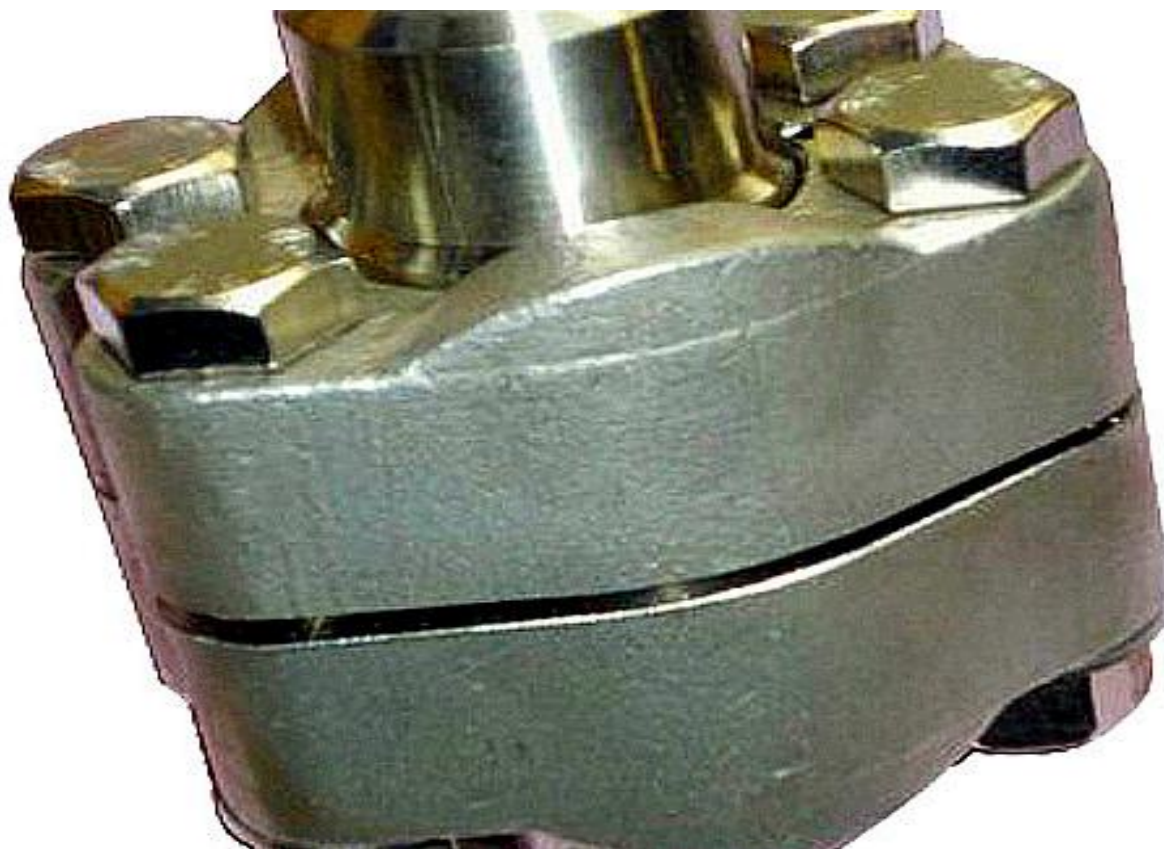


Semi Flange couplings



SAE Semi Flanges conection system
ISO 6162 SAE J518 Semi flange couplings connection

Semi Flange Couplings

Semi flanges is calling from Germany company standard of SN 532, be same to ISO 6162 and SAE J518 split flange halves. There are SAE 3000 psi (code 61) and SAE 6000 psi (code 62) half flange types, also be corresponded to SN 532 part 1 and SN 532 part 2.

You will find 2 semiflanges in flange-type coupling connections, SAE-flanges with flanged welding neck 3000 psi and 6000 psi.

Type A flange coupling connection is from tube to SAE port: 2 semiflanges; flanged welding neck with O-ring groove; O-ring; bolts.

Type B flange coupling connection is from tube to tube: 2 semiflanges; flanged welding neck with O-ring groove; O-ring; bolts and nuts; flanged welding neck without O-ring groove; solid flange.

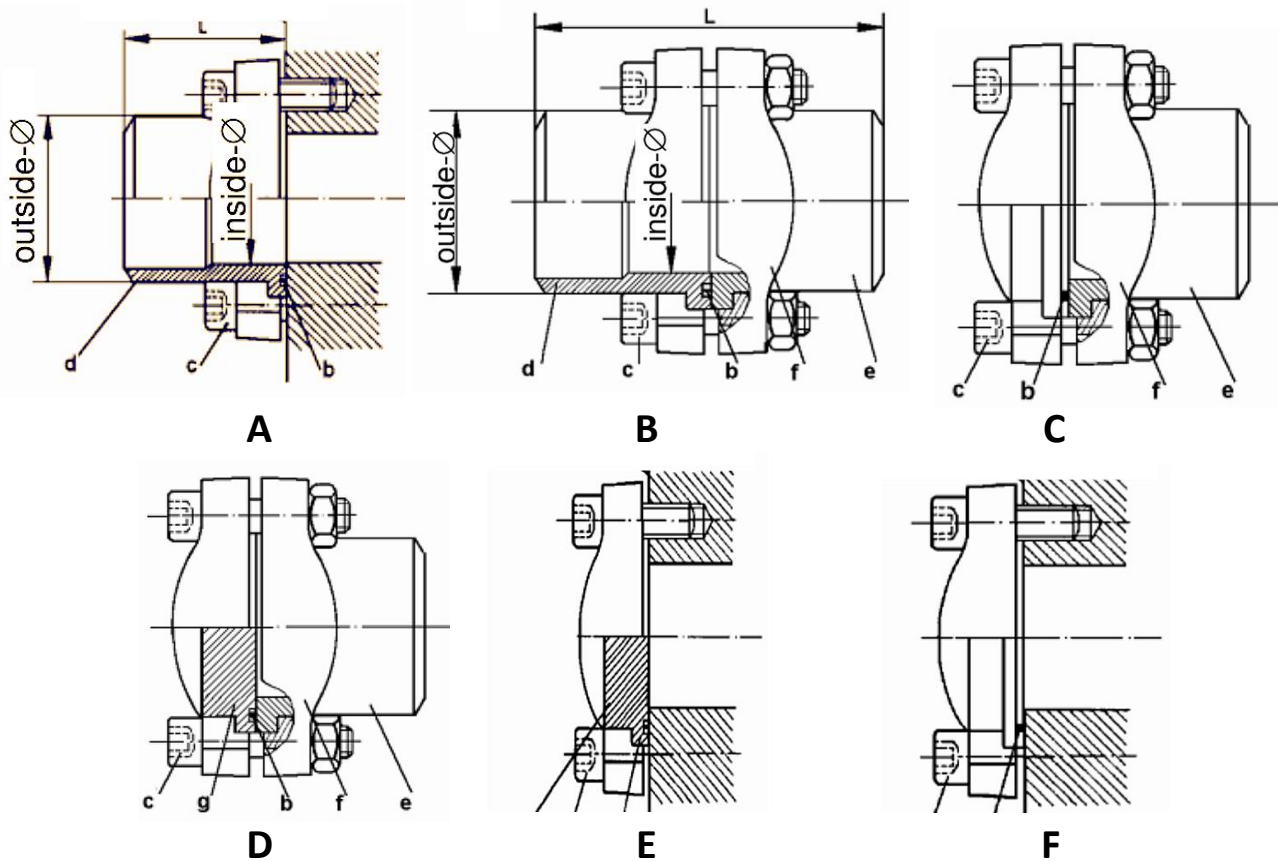
Type C flange coupling connection with one flanged welding neck : 2 semiflanges; flanged welding neck with O-ring groove; O-ring; bolts and nuts; solid flange.

Type D flange coupling connection with blind collar : 2 semiflanges; flanged welding neck without O-ring groove; O-ring; bolts and nuts; blind collar with O-ring groove.

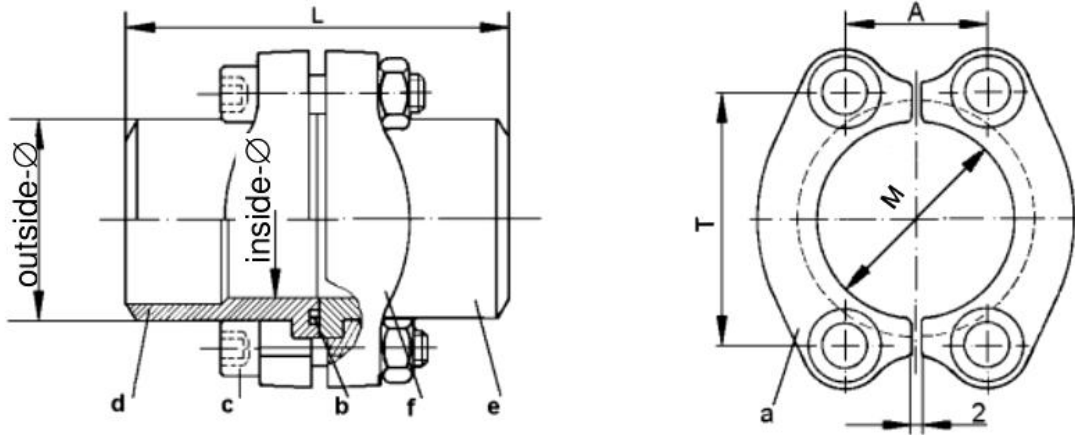
Type E flange coupling connection with blind collar : 2 semiflanges; O-ring; bolts; blind collar with O-ring groove.

Type F flange coupling connection with blind collar : 2 semiflanges; O-ring; screws;

Semiflanges clamp dimensions as the same to FL/FS split flange clamps



Semiflange Coupling Type B



Part No.	DN	Pipe Connection		A	T	L	M	Bolt	O-ring
		Outside max	inside max						
FCSN-12L	3/4"	30,0	20,0	22,3	47,6	70	32,2	M10x30	24,99x3,53
FCSN-16L	1"	38,0	28,0	26,2	52,4	80	38,5	M10x30	32,92x3,53
FCSN-20L	1 1/4"	42,4	33,0	30,2	58,7	90	43,7	M10x35	37,69x3,53
FCSN-24L	1 1/2"	48,3	42,0	35,7	69,9	100	50,8	M12 x 50	47,22 x 3,53
FCSN-32L	2"	60,3	52,0	42,9	77,8	120	62,8	M12 x 50	56,74 x 3,53